



for YOU and YOUR customer

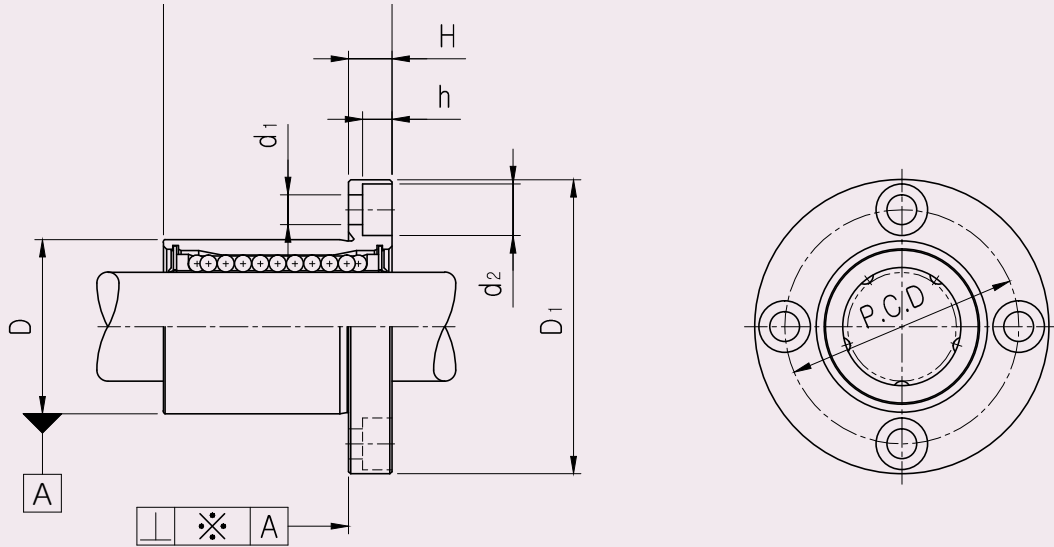
LINEAR BUSHING

by SAMICK

ASIAN STANDARD LINEAR BUSHING(LM)

LMF FLANGED LINEAR BUSHING

● Drawing



70
LMF

● Part Number Notation

LMF 20 UU - A N S



- SAMICK Circular Flanged Linear Bushing
- Nominal Shaft Diameter
- Seal

| | |
|-------|----------------|
| Blank | No Seal |
| UU | Both Side Seal |
| U | One Side Seal |

- Retainer (material)

| | |
|-------|--|
| Blank | Resin Retainer(Standard) |
| A | Steel Retainer(High temperature) ^{★1} |

- Outer-sleeves (by corrosion resistance)

| | |
|-------|----------------------------|
| Blank | Standard(SUJ2) |
| N | Electroless nickel plating |
| R | Raydent treatment |

- Ball type (material)

| | |
|-------|--|
| Blank | High carbon bearing steel ball(Standard) |
| S | Stainless steel ball |

★1 Steel retainer applicable from LMF6 to LMF25 only
(LMF8S applicable with resin retainer only)

LMF FLANGED LINEAR BUSHING

| PART NUMBER | | WORKING BORE DIAMETER | | D | | L | | D ₁ | | H | PCD | d ₁ | d ₂ | h | SQUAR ENESS *(μm)* | BASIC LOAD RATING(N) | | NO. OF BALL ROW | WEIGHT (gf) ^{*2} |
|-------------|---------|-----------------------|----------------|-----|----------------|-----|----------------|----------------|----------------|----|-----|----------------|----------------|------|-----------------------|---------------------------|-------------|-----------------|---------------------------|
| Resin | Steel | dr. (mm) | CLEAR NCE (mm) | mm | CLEAR NCE (mm) | mm | CLEAR NCE (mm) | mm | CLEAR NCE (mm) | | | | | | | DYNAMIC (C) ^{*1} | STATIC (Co) | | |
| LMF6UU | LMF6-A | 6 | | 12 | | 19 | | 28 | | 5 | 20 | 3.4 | 6.5 | 3.3 | 12 | 220 | 260 | 4 | 26.5 |
| LMF8SUU | | 8 | | 15 | 0 -0.011 | 17 | | 32 | | 5 | 24 | 3.4 | 6.5 | 3.3 | 12 | 170 | 220 | 4 | 34 |
| LMF8UU | LMF8-A | 8 | | 15 | | 24 | | 32 | | 5 | 24 | 3.4 | 6.5 | 3.3 | 12 | 260 | 400 | 4 | 40 |
| LMF10UU | LMF10-A | 10 | 0 -0.009 | 19 | | 29 | 0 -0.2 | 40 | | 6 | 29 | 4.5 | 8.0 | 4.4 | 12 | 370 | 540 | 4 | 78 |
| LMF12UU | LMF12-A | 12 | | 21 | 0 -0.013 | 30 | | 42 | | 6 | 32 | 4.5 | 8.0 | 4.4 | 12 | 410 | 590 | 4 | 76 |
| LMF13UU | LMF13-A | 13 | | 23 | | 32 | | 43 | 0 -0.2 | 6 | 33 | 4.5 | 8.0 | 4.4 | 12 | 500 | 770 | 4 | 94 |
| LMF16UU | LMF16-A | 16 | | 28 | | 37 | | 48 | | 6 | 38 | 4.5 | 8.0 | 4.4 | 12 | 770 | 1170 | 5 | 134 |
| LMF20UU | LMF20-A | 20 | | 32 | | 42 | | 54 | | 8 | 43 | 5.5 | 9.5 | 5.4 | 15 | 860 | 1370 | 5 | 180 |
| LMF25UU | LMF25-A | 25 | 0 -0.010 | 40 | 0 -0.016 | 59 | | 62 | | 8 | 51 | 5.5 | 9.5 | 5.4 | 15 | 980 | 1560 | 6 | 340 |
| LMF30UU | | 30 | | 45 | | 64 | | 74 | | 10 | 60 | 6.6 | 11.0 | 6.5 | 15 | 1560 | 2740 | 6 | 460 |
| LMF35UU | | 35 | | 52 | | 70 | | 82 | | 10 | 67 | 6.6 | 11.0 | 6.5 | 20 | 1660 | 3130 | 6 | 795 |
| LMF40UU | | 40 | 0 -0.012 | 60 | 0 -0.019 | 80 | 0 -0.3 | 96 | | 13 | 78 | 9.0 | 14.0 | 8.6 | 20 | 2150 | 4010 | 6 | 1054 |
| LMF50UU | | 50 | | 80 | | 100 | | 116 | 0 -0.3 | 13 | 98 | 9.0 | 14.0 | 8.6 | 20 | 3820 | 7930 | 6 | 2200 |
| LMF60UU | | 60 | 0 -0.015 | 90 | 0 -0.022 | 110 | | 134 | | 18 | 112 | 11.0 | 17.5 | 10.8 | 25 | 4700 | 9990 | 6 | 2960 |
| LMF80UU | | 80 | | 120 | | 140 | | 164 | | 18 | 142 | 11.0 | 17.5 | 11.1 | 25 | 10130 | 12000 | 6 | 5400 |

- ★1 Dynamic load rating is based on the nominal life of 50km
In case of 100km, C on the table need to be divided by 1.26
Ex) 50km basic dynamic load rating(C) of LMF12 = 410N
100km basic dynamic load rating(C₁₀₀) of LMF12 = 410/1.26 = 325.40N
- ★2 Based on the weight of resin retainer
- ★3 Main unit : mm
- ★4 1N ≙ 0.102kgf