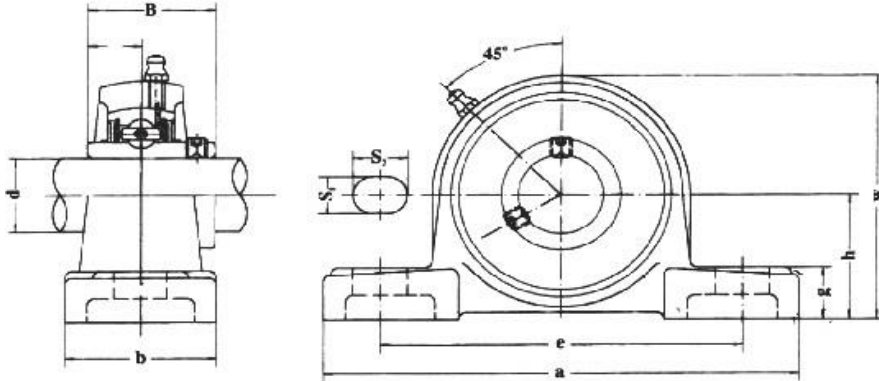




# CHUMACERA UCP2

## Grado Alimenticio ( Sanitaria )

### Caja Plastica Blanca con Balero Acero Inoxidable



MODELO	d	h	a	e	b	S <sub>1</sub>	S <sub>2</sub>	g	w	t	B	n	S
SSUCP201-8	1/2"	1-3/16"	5"	3-3/4"	1-1/2"	1/2"	3/4"	9/16"	2-7/16"	1-3/4"	1.2205"	0.500"	3/8"
SSUCP202-10	5/8"												
SSUCP203	17 mm	30.2 mm	127 mm	95 mm	38 mm	13 mm	19 mm	14 mm	65 mm	44.5 mm	31 mm	12.7 mm	M10
SSUCP204	20 mm	1-5/16"	5"	3-3/4"	1-1/2"	1/2"	3/4"	9/16"	2-9/16"	1-3/4"	1.2205"	0.500"	3/8"
SSUCP204-12	3/4"												
SSUCP205	25 mm	36.5 mm	140 mm	105 mm	38 mm	13 mm	19 mm	15 mm	71 mm	48 mm	34.1 mm	14.3 mm	M10
SSUCP205-14	7/8"	1-7/16"	5-1/2"	4-1/8"	1-1/2"	1/2"	3/4"	19/32"	2-25/32"	1-57/64"	1.3425"	0.563"	3/8"
SSUCP205-15	15/16"												
SSUCP205-16	1"												
SSUCP206	30 mm	42.9 mm	160 mm	121 mm	45 mm	17 mm	20 mm	17 mm	82 mm	53 mm	38.1 mm	15.9 mm	M14
SSUCP206-18	1-1/8"												
SSUCP206-19	1-3/16"	1-11/16"	6-1/2"	4-3/4"	1-7/8"	43/64"	25/32"	21/32"	3-5/16"	2-5/64"	1.5000"	0.626"	1/2"
SSUCP206-20	1-1/4"												
SSUCP207	35 mm	47.6 mm	167 mm	127 mm	48 mm	17 mm	20 mm	18 mm	93 mm	59.5 mm	42.9 mm	17.5 mm	M14
SSUCP207-20	1-1/4"												
SSUCP207-21	1-5/16"	1-7/8"	6-9/16"	5"	1-7/8"	43/64"	25/32"	45/64"	3-21/32"	2-11/32"	1.6890"	0.689"	1/2"
SSUCP207-22	1-3/8"												
SSUCP207-23	1-7/16"												
SSUCP208	40 mm	49.20 mm	183 mm	137 mm	52 mm	17 mm	20 mm	18 mm	98 mm	69 mm	49.20 mm	19 mm	M14
SSUCP208-24	1-1/2"	1-15/16"	7-1/4"	5-13/32"	2-1/8"	43/64"	25/32"	45/64"	3-15/16"	2-23/32"	1.9370"	0.748"	1/2"
SSUCP209	45 mm	54 mm	190 mm	146 mm	53 mm	17 mm	20 mm	20 mm	105 mm	69 mm	49.20 mm	19 mm	M14
SSUCP209-26	1-5/8"												
SSUCP209-27	1-11/16"	2-1/8"	7-15/32"	5-3/4"	2-1/8"	43/64"	25/32"	25/32"	4-11/64"	2-23/32"	1.9370"	0.748"	1/2"
SSUCP209-28	1-3/4"												
SSUCP210	50 mm	57.2 mm	205 mm	159 mm	58 mm	20 mm	23 mm	21 mm	113 mm	74.5 mm	51.6 mm	19 mm	M16
SSUCP210-30	1-7/8"												
SSUCP210-31	1-15/16"	2-1/4"	8-1/8"	6-1/4"	2-3/8"	25/32"	29/32"	53/64"	4-29/64"	2-15/16"	2.0315"	0.748"	5/8"
SSUCP210-32	2"												
SSUCP211-32	2"	2-1/2"	8-5/8"	6-47/64"	2-3/8"	25/32"	29/32"	29/32"	4-59/64"	3"	2.1890"	0.874"	5/8"

\* Los diámetros de los barrenos de anclaje pueden variar en su medida dependiendo de fabricante, siempre verifique