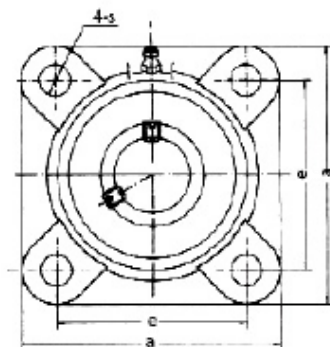
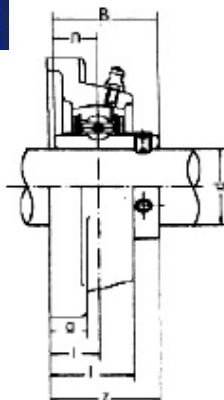




# CHUMACERA DE PARED UCF2

## CAJA DE FIERRO DE FUNDICION

### BALERO ACERO AL CARBON



MODELO	d	a	e	i	g	l	s	z	t	B	n	4-S
UCF201-8	1/2"	3-3/8"	2-33/64"	19/32"	15/32"	1"	15/32"	1-5/16"	1-31/64"	1.2205"	0.500"	7/16"
UCF202-10	5/8"											
UCF204-12	3/4"											
UCF205-14	7/8"	3-3/4"	2-3/4"	5/8"	35/64"	1-1/16"	15/32"	1-13/32"	1-9/16"	1.3425"	0.563"	7/16"
UCF205-15	15/16"											
UCF205-16	1"											
UCF206-18	1-1/8"											
UCF206-19	1-3/16"	4-1/4"	3-17/64"	45/64"	35/64"	1-7/32"	15/32"	1-19/32"	1-3/4"	1.5000"	0.626"	7/16"
UCF206-20	1-1/4"											
UCF207-20	1-1/4"											
UCF207-21	1-5/16"	4-39/64"	3-5/8"	3/4"	5/8"	1-11/32"	35/64"	1-3/4"	1-29/32"	1.6890"	0.689"	1/2"
UCF207-22	1-3/8"											
UCF207-23	1-7/16"											
UCF208-24	1-1/2"											
UCF209-26	1-5/8"	5-13/32"	4-9/64"	55/64"	23/32"	1-1/2"	5/8"	2-1/16"	2-7/32"	1.9370"	0.748"	5/8"
UCF209-27	1-11/16"											
UCF209-28	1-3/4"											
UCF210-30	1-7/8"	5-5/8"	4-3/8"	55/64"	23/32"	1-9/16"	5/8"	2-5/32"	2-11/32"	2.0315"	0.748"	5/8"
UCF210-31	1-15/16"											
UCF211-32	2"	6-3/8"	5-1/8"	63/64"	25/32"	1-11/16"	3/4"	1-5/16"	2-31/64"	2.1890"	0.874"	3/4"
UCF211-34	2-1/8"											
UCF211-35	2-3/16"											
UCF212-36	2-1/4"	6-57/64"	5-5/8"	1-9/64"	25/32"	1-57/64"	3/4"	2-45/64"	2-57/64"	2.5630"	1.000"	5/8"
UCF212-38	2-3/8"											
UCF212-39	2-7/16"											
UCF213-40	2-1/2"	7-23/64"	5-55/64"	1-3/16"	55/64"	1-31/32"	3/4"	2-3/4"	2-15/16"	2.5630"	1.000"	5/8"
UCF214-44	2-3/4"											
UCF215-47	2-15/16"	7-7/8"	6-17/64"	1-11/32"	55/64"	2-7/32"	3/4"	3-3/32"	3-9/32"	3.0630"	1.311"	5/8"
UCF215-48	3"											
UCF218-56	3-1/2"	9-1/4"	7-23/64"	1-37/64"	15/16"	2-11/16"	29/32"	3-25/32"	4"	3.7795"	1.5630"	3/4"

\* Los diámetros de los barrenos de anclaje pueden variar en su medida dependiendo de fabricante siempre verifique